



how to install your new roof blind...



Need some help?

Please scan QR code
for video guidance on
fitting your blind or
visit the website below:



<https://qrco.de/crbfittingvideo2>



Please do not open the blind until fully installed



Remove the tape from the top of the cassette.



Insert the cassette at the top of the window.
Hold cassette in place until screws have been inserted



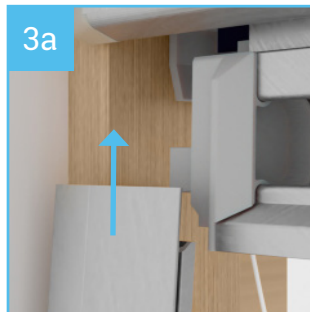
Insert the screws into the side of the cassette.



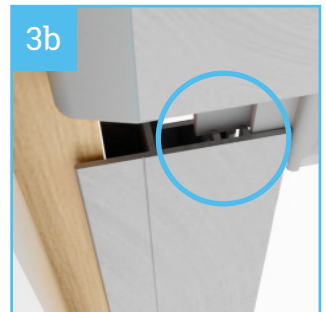
Repeat on opposite side.



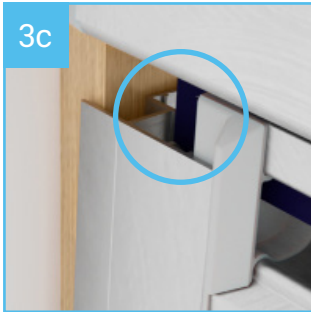
Release the cords from each side of the handle before continuing.



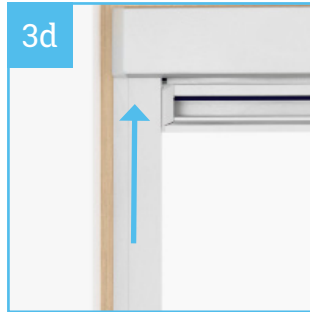
Slide the siderail upwards to the cassette.



Ensure the first guide of the handle slides into the siderail.



Ensure the fabric slides into the siderail.



Continue to push the siderail until it is fully inserted behind the cassette.



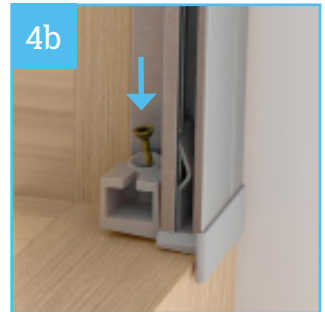
Position the bottom of siderail tight against edge of window.



Insert the screw into the plastic at the bottom.



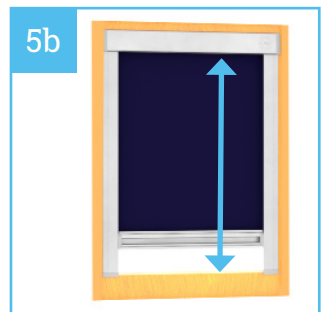
Repeat these steps for the second siderail.



Please insert extra screws into siderails for longer blinds only.



Slide the cord plastic into the bottom of the siderail on each side.



Fully extend the blind to ensure everything works correctly.



Classic Roof Blinds

The Complex
3a KillyColp Road
Cookstown
BT80 9AD

+44 (0) 28 8676 7750

Email: info@classicroofblinds.com

Web: www.classicroofblinds.com

